

Specifications

SSR-IAC-05A



**MEASUREMENT
COMPUTING™**

Document Revision 1.1, December, 2006
© Copyright 2006, Measurement Computing Corporation

Specifications

Typical for 25 °C unless otherwise specified.

General characteristics

Table 1. General characteristics

Parameter	Conditions	Specification
Type		High voltage AC input
Isolation voltage		4000 Vrms

Input

Table 2. Input specifications

Parameter	Conditions	Specification
Nominal input voltage		240 VAC
Input voltage range		180 to 280 VAC / VDC
Input current	Input voltage = maximum	6 mA RMS
Nominal input resistance (R1)		60 kOhms
Maximum pick-up voltage	(Output low)	180 VAC
Minimum drop-out voltage	(Output high)	50 VAC

Output

Table 3. Output and logic circuit specifications

Parameter	Conditions	Specification
Nominal logic voltage	Vcc	5 VDC
Logic voltage range	Vcc	3 to 6 VDC
Maximum logic supply current	Logic voltage = nominal	10 mA
Output current range		1 to 50 mA
Minimum output breakdown voltage		50 VDC
Maximum turn-on time		20 mS
Maximum turn-off time		20 mS

Environmental

Table 4. Environmental specifications

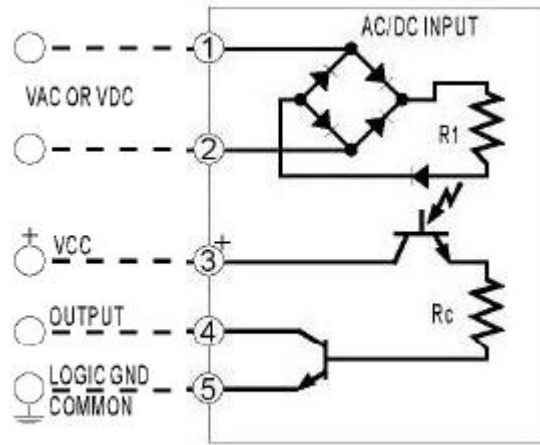
Operating temperature range	-40 to 100 °C
Storage temperature range	-40 to 125 °C
Mechanical shock	MIL-STD-202
Vibration	MIL-STD-202

Mechanical

Table 5. Mechanical specifications

Dimensions	1.7" (43.2 mm) L x 0.6" (15.2 mm) W x 1.25" (31.8 mm) H
------------	---

Block diagram and pin out



Measurement Computing Corporation
10 Commerce Way
Suite 1008
Norton, Massachusetts 02766
(508) 946-5100
Fax: (508) 946-9500
E-mail: info@mccdag.com
www.mccdag.com