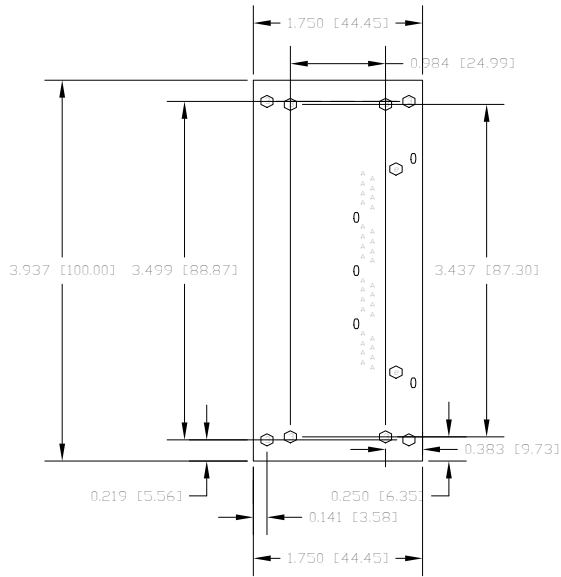


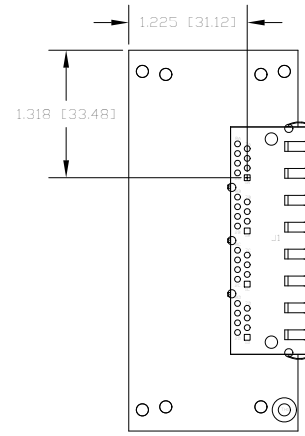
THIS DRAWING CONTAINS PROPRIETARY INFORMATION WHICH IS THE CONFIDENTIAL PROPERTY OF DATA TRANSLATION, INC. IT SHALL NOT BE COPIED, REPRODUCED, DISCLOSED, PUBLISHED OR USED IN THE WHOLE OR IN PART WITHOUT THE EXPRESSED WRITTEN PERMISSION OF DATA TRANSLATION, INC.

DWN		LTR		DESCRIPTION	CHECKED	DATE	APPROVED
		0		INITIAL RELEASE			

PCB DIMENSIONS AND HOLE LOCATIONS



COMPONENT LOCATIONS



MAXIMUM COMPONENT HEIGHT
COMPONENT SIDE = .591 [15.01]
SOLDER SIDE = .100 [2.54]

NOTES:

- MATERIAL: .062 +/- .005 THICK, FR4.

COMPONENT CHART				
REF	DES	MANUFACTURER	MANUFACTURER P/N	DT P/N
J1		TYCO	6339167-2	24264

DRILL CHART			
ALL UNITS ARE IN MILS			
FIGURE	SIZE	PLATED	QTY
-	40.0	PLATED	32
0	62.0	PLATED	5
○	125.0	PLATED	1
○	125.0	NON-PLATED	7
○	128.0	NON-PLATED	2

PCB CHART	
P/N	REV
24220	0

DO NOT SCALE DRAWING REMOVE ALL BURRS AND SHARP EDGES	DRAWN S. BORDEN	DATE 1-11-12
UNLESS OTHERWISE SPECIFIED DIMENSIONS ARE IN INCHES TOLERANCES	CHECKED	DATE
XX ±.01	APPROVED	DATE
XXX ±.005	APPROVED	DATE
MATERIAL SEE NOTE 1	FINISH SEE NOTES	
NEXT ASSY	USED DN	
NEXT ASSY	USED DN	

DATA TRANSLATION		
MARLBOROUGH MASSACHUSETTS 01752		
TITLE SALES DRAWING EP386,RJ45 PATCH PANEL		
SIZE C	CODE IDENT NO 24810	DRAWING NO 0
SCALE 1:1		SHEET 1 OF 1