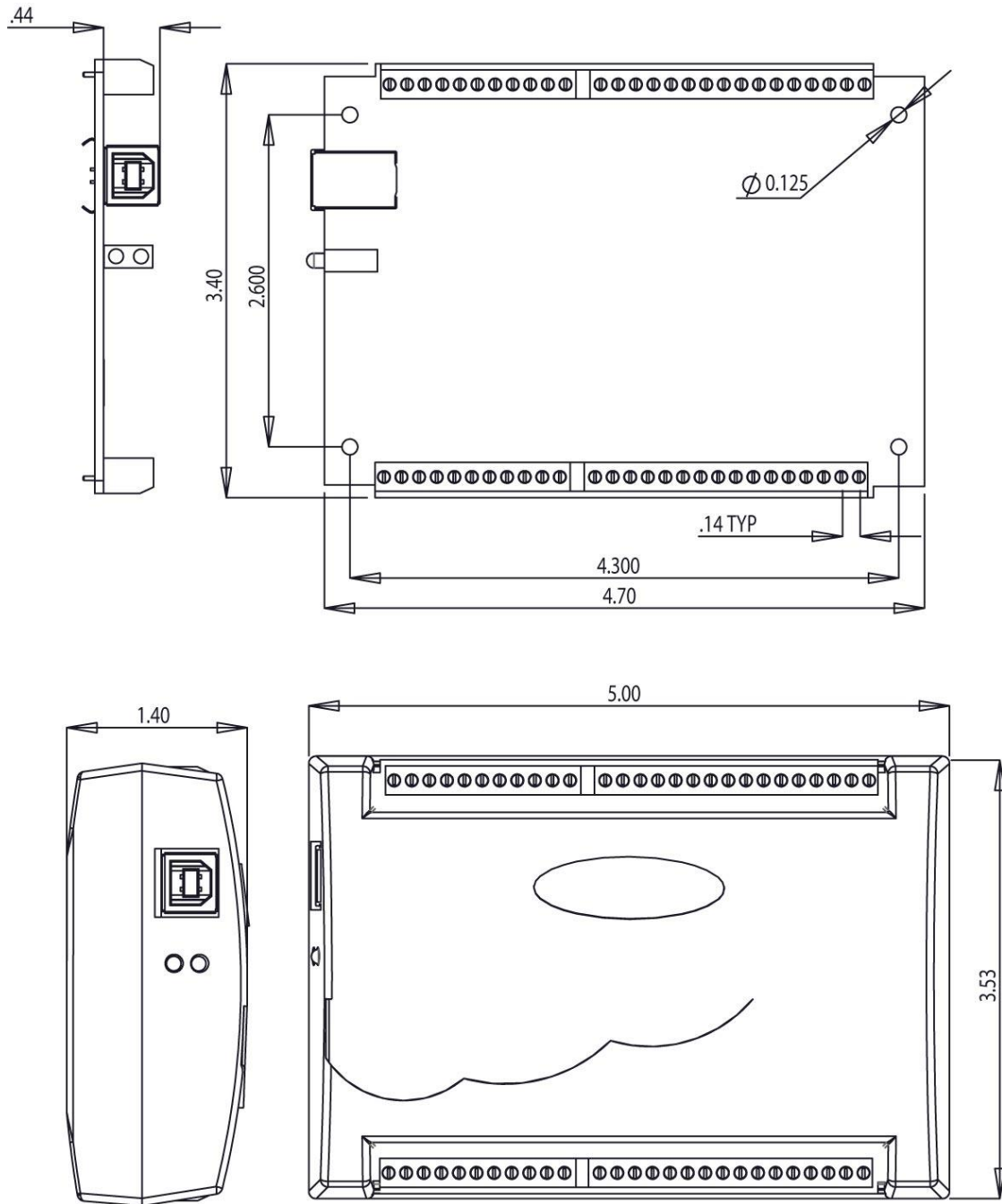


USB-1608G Series Mechanical Drawings

The USB-1608G Series includes the following devices:

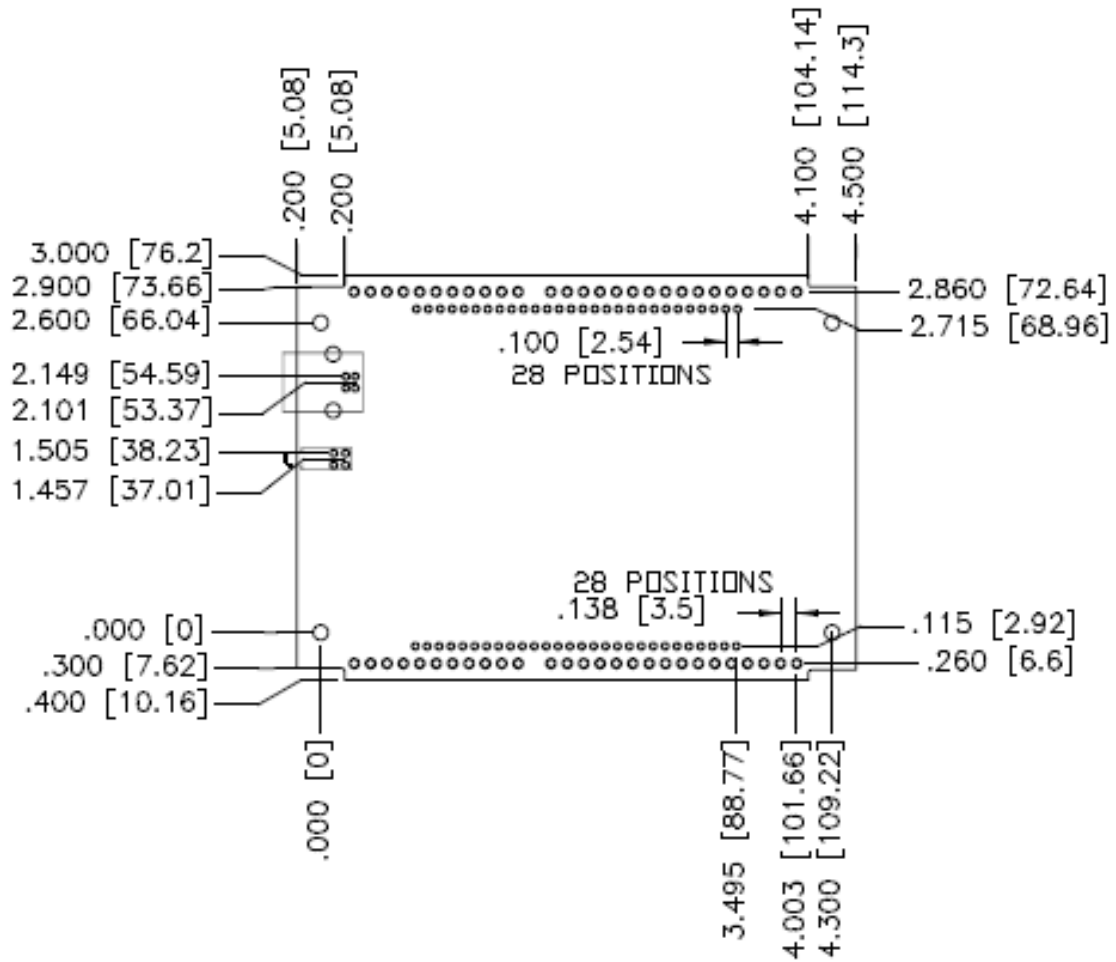
- USB-1608G, USB-1608G-OEM
- USB-1608GX, USB-1608GX
- USB-1608GX-2AO, USB-1608GX-2AO

Standard version



Standard version circuit board (top) and housing (bottom)

OEM version



MAX.COMPONENT HEIGHT;
TOP 0.545"
BOTTOM 0.125"

OEM version circuit board