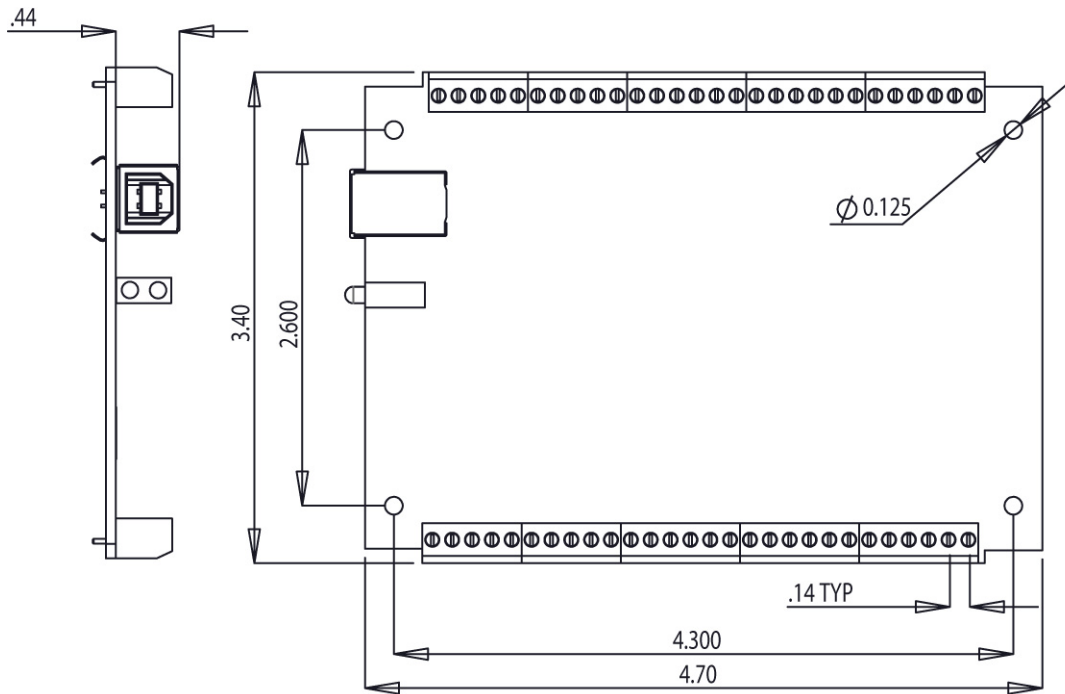


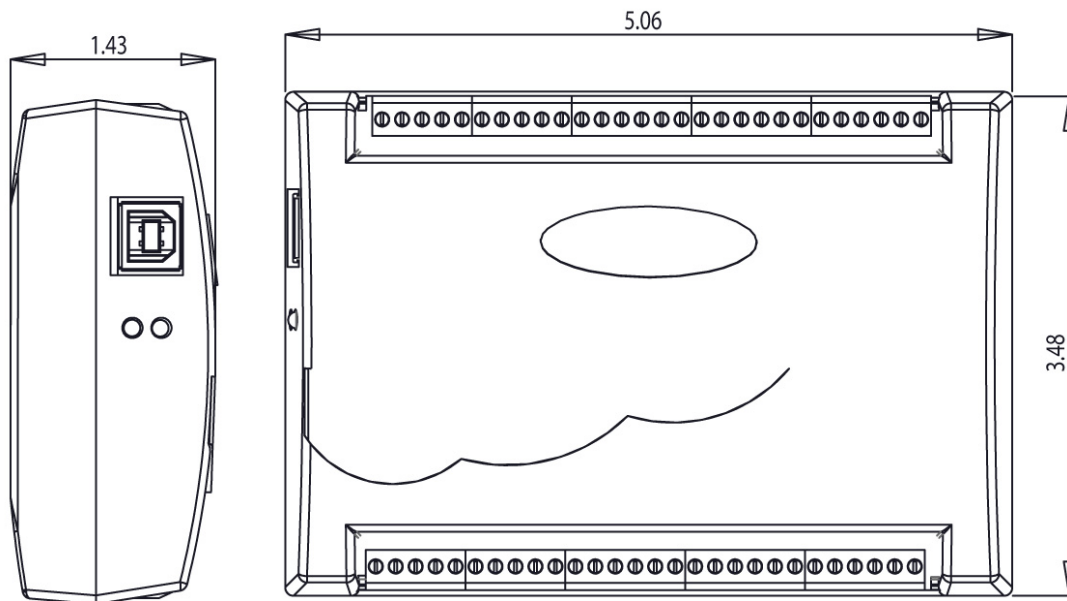
USB-3100 Series Mechanical Drawings

USB-3101/3102/3103/3104/3105/3106

These devices do not have an external power connector.



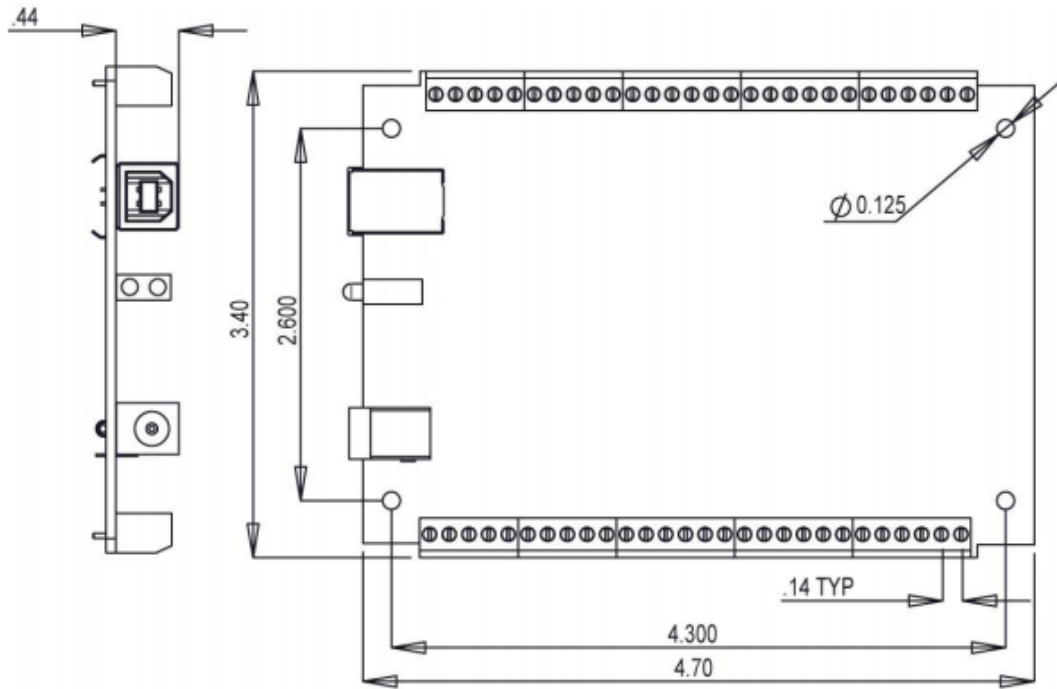
Circuit board dimensions



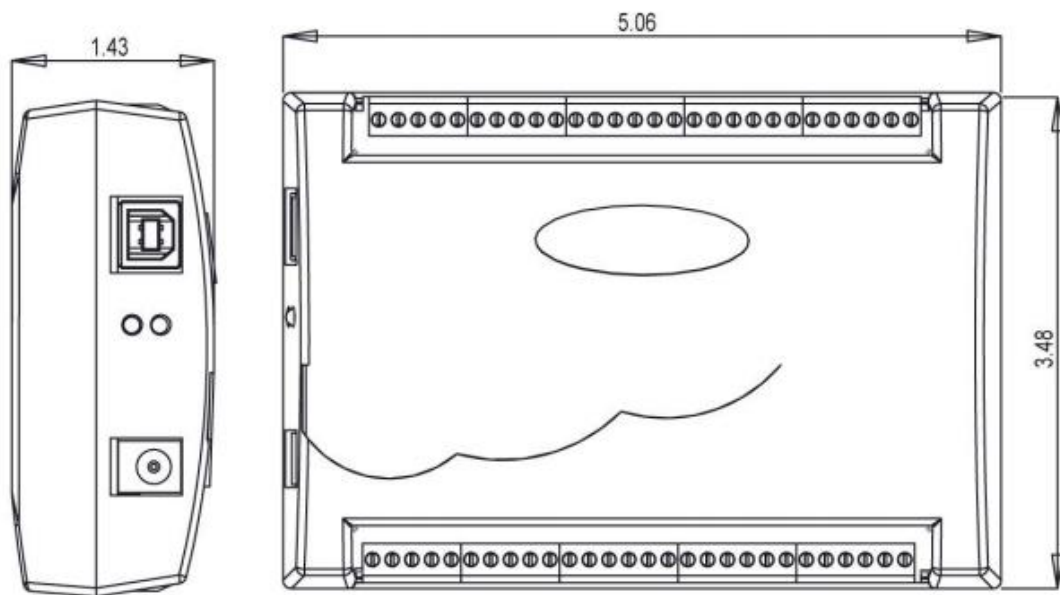
Housing dimensions

USB-3110/3112/3114

These devices have an external power connector.



Circuit board dimensions



Housing dimensions