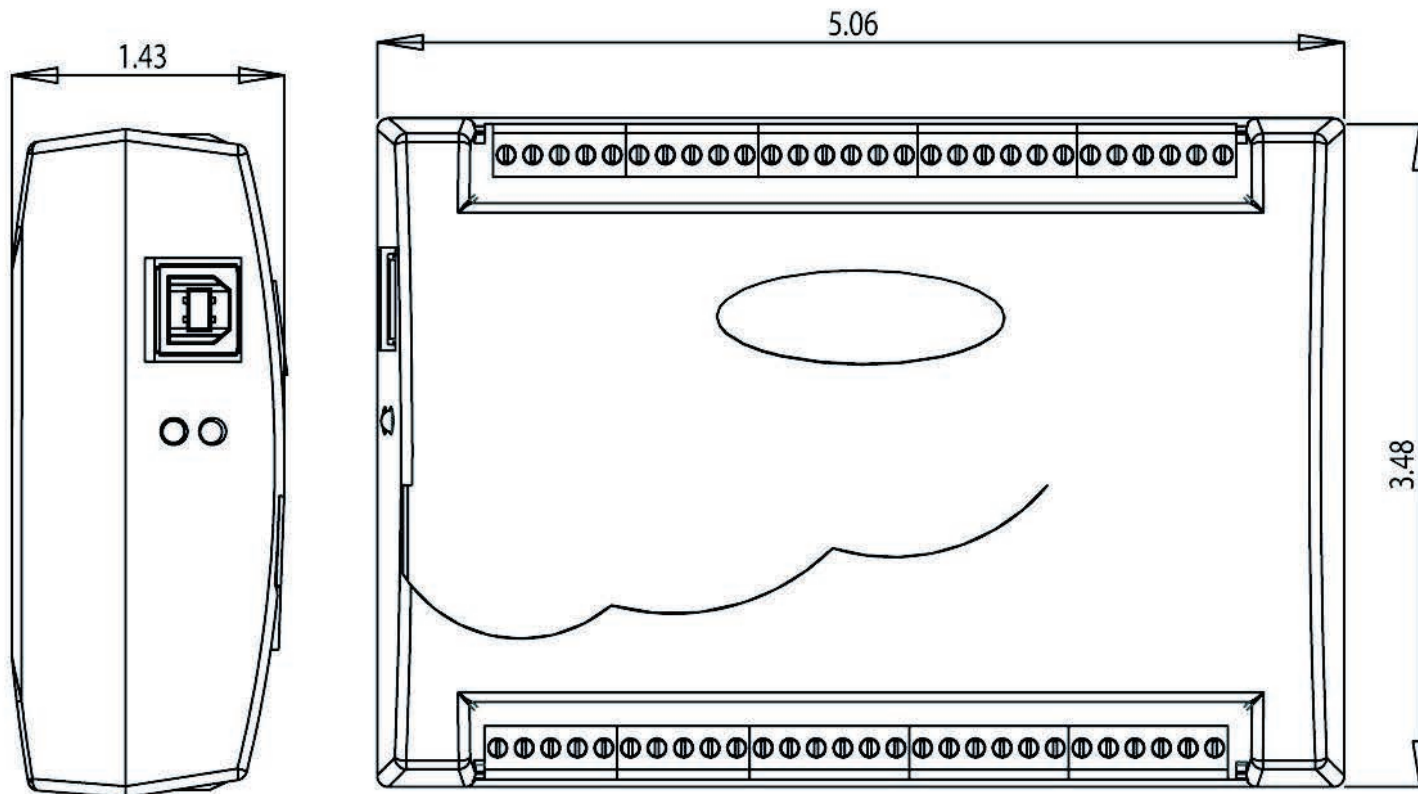


USB-CTR Series Mechanical Drawings

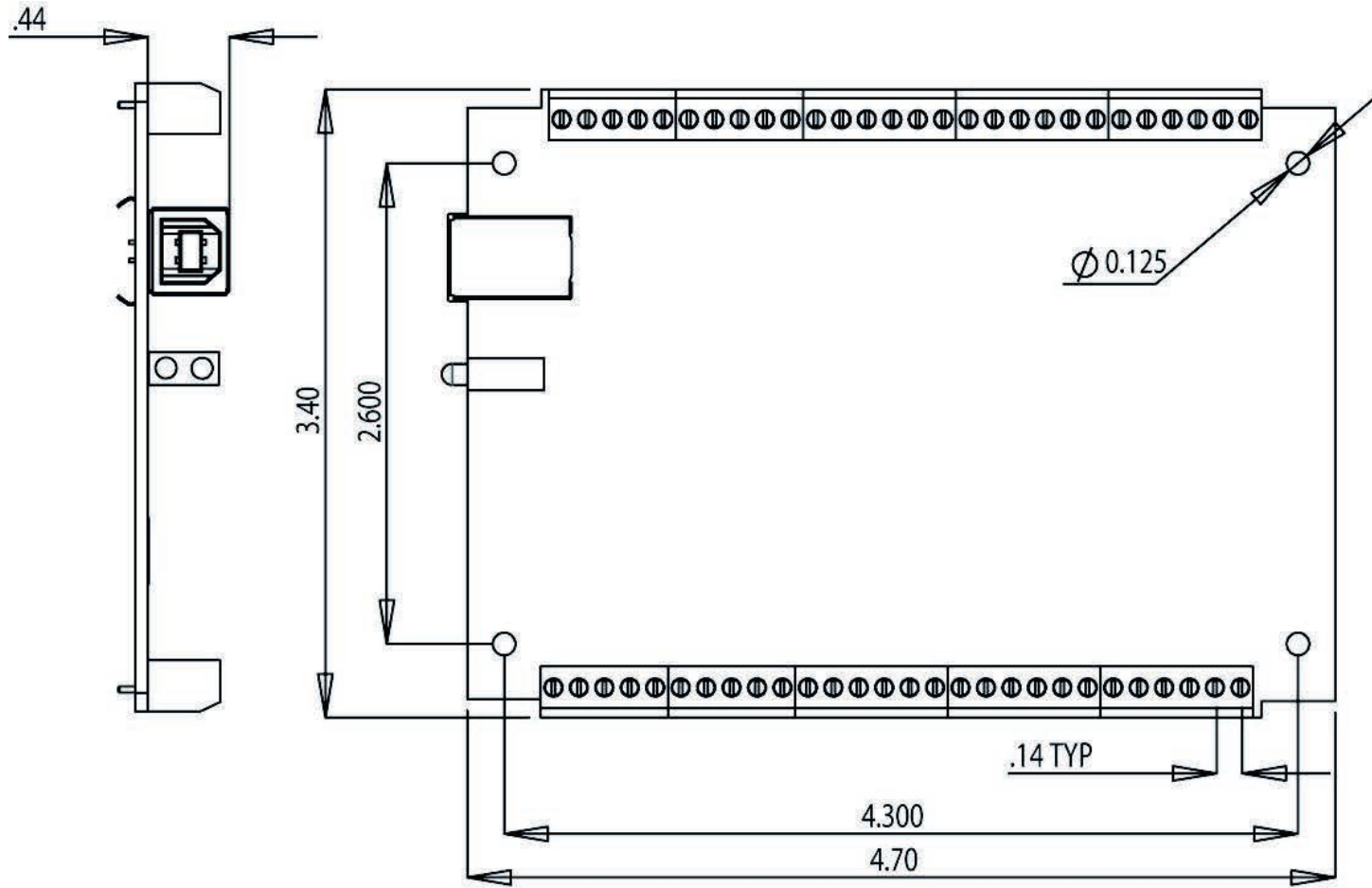
The USB-CTR Series includes the following devices:

- USB-CTR04, USB-CTR04-OEM
- USB-CTR08, USB-CTR08-OEM

Standard version

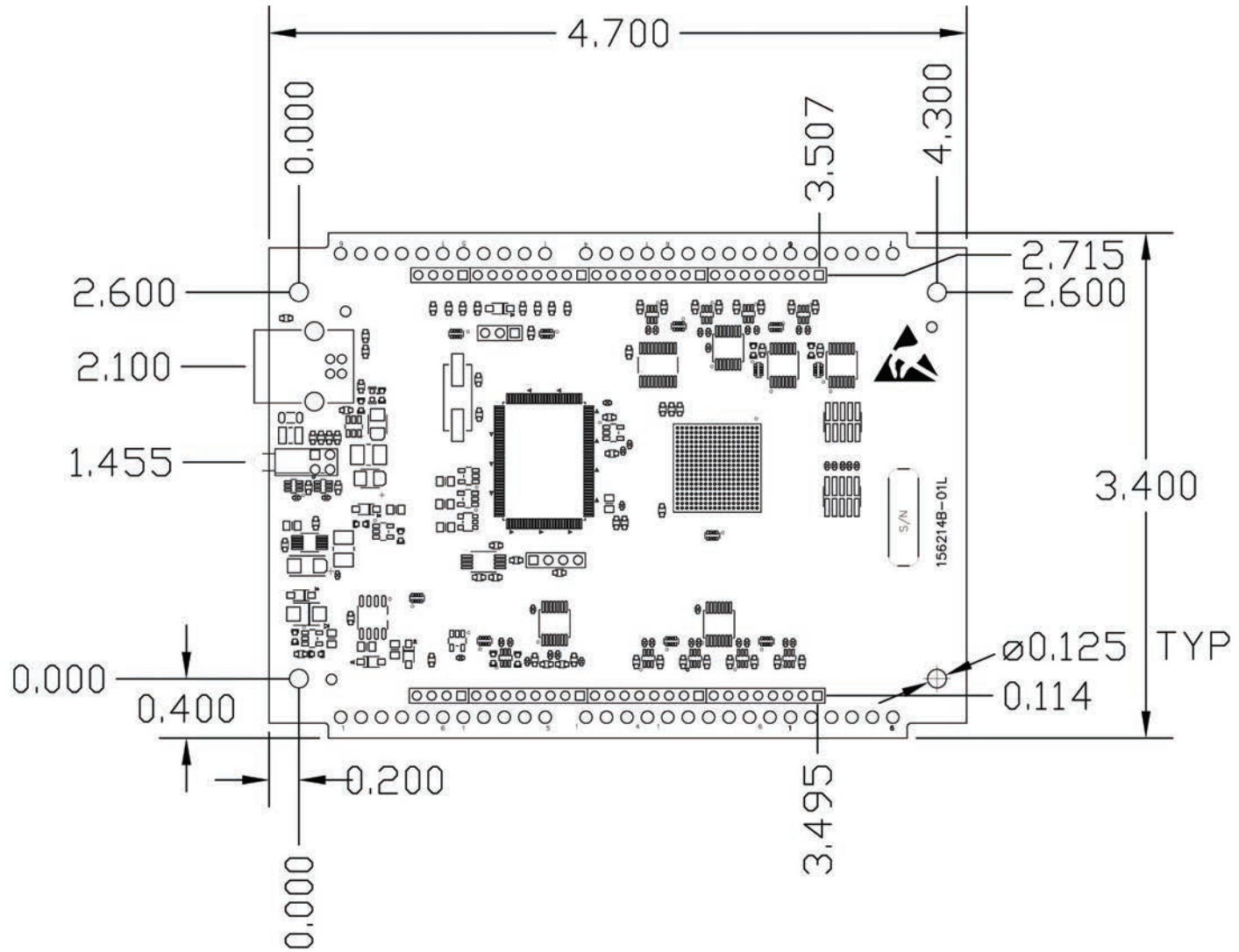


Housing dimensions



Circuit board dimensions

OEM version



Circuit board dimensions (OEM)